

PASS-THROUGHT DISHWASHERS

Dear Customers!

We'd like to inform you about changes applied from **01.12.2024** to our new pass-through dishwashers range.

CHANGES OF FEATURES OF PASS-THROUGH DISHWASHERS

All pass-through dishwashers series GMX, GTX, and GSX **do not have a soft washing start function.**

Changes in features apply to pages 174, 175, 184, 185, and 193.

CHANGES OF DIMENSIONS OF PASS-THROUGH DISHWASHERS

Page No.	Model	Reference	Catalogue 2024 Dimensions	New dimensions
p. 164	GEX-H500	19104672	630 x 770 x 1485	630 x 750 x 1482
	GEX-H500 DD	19104673	630 x 770 x 1485	630 x 750 x 1482
	GEX-H500 B	19104674	630 x 770 x 1485	630 x 750 x 1482
	GEX-H500 B DD	19104675	630 x 770 x 1485	630 x 750 x 1482
p. 165	GEX-H510	19104676	630 x 770 x 1485	630 x 750 x 1482
	GEX-H510 DD	19104677	630 x 770 x 1485	630 x 750 x 1482
	GEX-H510 B	19104678	630 x 770 x 1485	630 x 750 x 1482
	GEX-H510 B DD	19104679	630 x 770 x 1485	630 x 750 x 1482
p. 174	GMX-H500	19106957	630 x 770 x 1485	630 x 750 x 1482
	GMX-H500 DD	19106959	630 x 770 x 1485	630 x 750 x 1482
	GMX-H500 B	19106970	630 x 770 x 1485	630 x 750 x 1482
	GMX-H500 B DD	19106971	630 x 770 x 1485	630 x 750 x 1482
	GMX-H500 W	19106972	630 x 770 x 1485	630 x 750 x 1482
	GMX-H500 W DD	19106973	630 x 770 x 1485	630 x 750 x 1482
	GMX-H500 B W	19106974	630 x 770 x 1485	630 x 750 x 1482
	GMX-H500 B W DD	19106975	630 x 770 x 1485	630 x 750 x 1482
p. 175	GMX-H510	19106977	630 x 770 x 1485	630 x 750 x 1482
	GMX-H510 DD	19106979	630 x 770 x 1485	630 x 750 x 1482
	GMX-H510 B	19106980	630 x 770 x 1485	630 x 750 x 1482
	GMX-H510 B DD	19106981	630 x 770 x 1485	630 x 750 x 1482
	GMX-H510 W	19106982	630 x 770 x 1485	630 x 750 x 1482
	GMX-H510 W DD	19106983	630 x 770 x 1485	630 x 750 x 1482
	GMX-H510 B W	19106984	630 x 770 x 1485	630 x 750 x 1482
	GMX-H510 B W DD	19106985	630 x 770 x 1485	630 x 750 x 1482
p. 184	GTX-H500	19104750	630 x 770 x 1485	630 x 750 x 1482
	GTX-H500 DD	19104751	630 x 770 x 1485	630 x 750 x 1482
	GTX-H500 B	19104752	630 x 770 x 1485	630 x 750 x 1482
	GTX-H500 B DD	19104753	630 x 770 x 1485	630 x 750 x 1482
	GTX-H500 W	19104754	630 x 770 x 1485	630 x 750 x 1482
	GTX-H500 W DD	19104755	630 x 770 x 1485	630 x 750 x 1482
	GTX-H500 B W	19104756	630 x 770 x 1485	630 x 750 x 1482
	GTX-H500 B W DD	19104757	630 x 770 x 1485	630 x 750 x 1482

CHANGES OF DIMENSIONS OF PASS-THROUGH DISHWASHERS

Page No.	Model	Reference	Catalogue 2024 Dimensions	New dimensions
p. 185	GTX-H510	19104758	630 x 770 x 1485	630 x 750 x 1482
	GTX-H510 DD	19104759	630 x 770 x 1485	630 x 750 x 1482
	GTX-H510 B	19104760	630 x 770 x 1485	630 x 750 x 1482
	GTX-H510 B DD	19104761	630 x 770 x 1485	630 x 750 x 1482
	GTX-H510 W	19104762	630 x 770 x 1485	630 x 750 x 1482
	GTX-H510 W DD	19104763	630 x 770 x 1485	630 x 750 x 1482
	GTX-H510 B W	19104764	630 x 770 x 1485	630 x 750 x 1482
	GTX-H510 B W DD	19104765	630 x 770 x 1485	630 x 750 x 1482
p. 193	GSX-H510 PUB WDD	19104766	630 x 770 x 1548	630 x 750 x 1547
	GSX-H510 SOFT PUB WDD	19104767	630 x 770 x 1548	630 x 750 x 1547

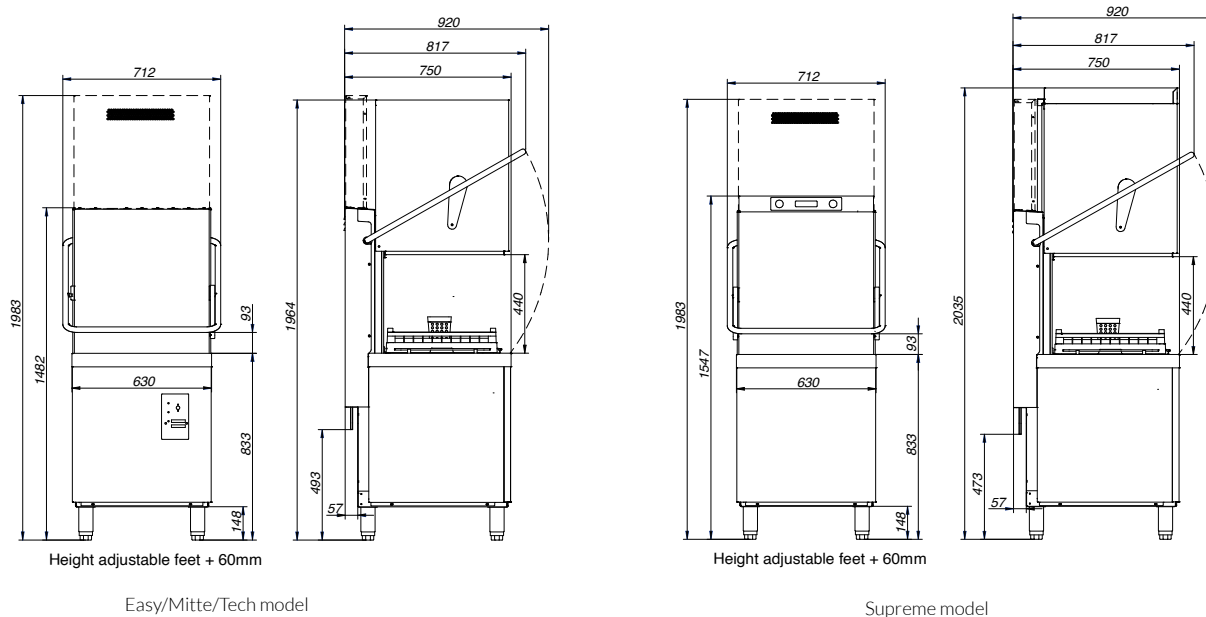
TECHNICAL DATA - DIMENSIONS SUMMARY

The table below presents updated dimensions of the pass-through dishwashers that appear on the 'Technical data' pages. Modified values in **bold**.

Model	GEX-H500	GEX-H510	GMX-H500	GMX-H510	GTX-H500	GTX-H510	GSX-H510
Page No.	p. 166	p. 166	p. 176	p. 176	p. 186	p. 186	p. 194
Dimensions (mm)							
Width	630	630	630	630	630	630	630
Depth	750	750	750	750	750	750	750
Height	1482	1482	1482	1482	1482	1482	1547
Open hood height (mm)	1964	1964	1964	1964	1964	1964	2035

NEW TECHNICAL DRAWINGS

Changes apply on p. 199.



2024 | CATALOGUE CHANGES

PASS-THROUGHT DISHWASHERS OPTIONS

Additional information on p. 201 – applies to Tech and Supreme Lines Optionals:
The machine with Heat Recovery (RC) option is 1983 mm high.

CHANGES OF DIMENSIONS OF ENTRY/ EXIT TABLES FOR PASS-THROUGH DISHWASHERS

Page No.	Model	Reference	Catalogue 2024 Dimensions	New dimensions
p. 193	DTW-70 R	19104160	700 x 770 x 850	700 x 750 x 850
	DTW-120 R	19104092	1200 x 770 x 850	1200 x 750 x 850
	DTW-70 L	19104159	700 x 770 x 850	700 x 750 x 850
	DTW-120 L	19104011	1200 x 770 x 850	1200 x 750 x 850
	DTWB-70 R	19104080	700 x 770 x 850	700 x 750 x 850
	DTWB-120 R	19104078	1200 x 770 x 850	1200 x 750 x 850
	DTWB-70 L	19104079	700 x 770 x 850	700 x 750 x 850
	DTWB-120 L	19104077	1200 x 770 x 850	1200 x 750 x 850
	DTWBS-120 R	19104073	1200 x 770 x 850	1200 x 750 x 850
	DTWBS-150 R	19104075	1500 x 770 x 850	1500 x 750 x 850
	DTWBS-120 L	19103986	1200 x 770 x 850	1200 x 750 x 850
	DTWBS-150 L	19104074	1500 x 770 x 850	1500 x 750 x 850
	DTJ-14	19104269	140 x 764 x 350	140 x 750 x 350
	DTJ-62	19104300	620 x 764 x 350	620 x 750 x 350



ONNERA POLAND Sp. z o.o.
Palmiry
ul. Warszawska 9
05-152 Czosnów
Tel: +48 22 312 00 12
export@onnerapoland.pl

ONNERA GROUP
www.onneragroup.com